



# Linx Transfer

Ductwork for dust and other fine particulate collection. Transfer components are joined easily with a gasketed tension clamp. It's disassembled just as easily! Cleaning and inspection is simple with Linx Transfer. In fact, these parts can be relocated and reused if necessary.

The duct system is suitable for:

- Particle transportation from woodworking, such as saw mills, carpenters, furniture manufacturers and craft work shops
- Comfort ventilation
- Extraction systems for better working environment
- Plasma cutters
- Specially designed ventilation plants where you have extra demands for form, color and appearance.

## Table of Contents

<b><u>Model</u></b>	<b><u>Page</u></b>	<b><u>Model</u></b>	<b><u>Page</u></b>
<b><i>Duct</i></b> .....	14	<b><i>Taps</i></b> .....	25
SRTR		PSTR	
ORINGTR		PSVTR	
TLTR1		<b><i>Take-offs</i></b> .....	27
TLTR2		ILTR	
<b><i>Elbows</i></b> .....	16	ILRTR	
BTR		<b><i>End caps</i></b> .....	28
BSTR		EPTR	
BSFTR		<b><i>Couplings</i></b> .....	28
<b><i>Reducers</i></b> .....	19	OUTR	
RCLTR		MFTR	
RLTR		<b><i>Clamps</i></b> .....	30
RRTR		MFK	
<b><i>Branches</i></b> .....	22	SB	
TVTR		SB1	
XVTR		<b><i>Misc</i></b> .....	32
YVTR		BGATETR	
		FSTR	



# Dust Collection

## Specifications

Material shall be one of the following:

- A. Galvanized steel conforming to ASTM standards A653 and A924
- B. Stainless steel type 304L conforming to ASTM standard A240\*
- C. Stainless steel type 316L conforming to ASTM standard A240\*

(\* ) Indicates die-stamped (pressed) fitting construction not available

Surface finish shall be one of the following:

- A. G-60 galvanized steel (standard)
- B. G-90 galvanized steel
- C. Stainless steel type 304L 2B finish
- D. Stainless steel type 316L 2B finish

Material thickness shall be one of the following:

- A. 22 gauge except pressed elbows shall be 24 gauge
- B. Other gauges and/or external reinforcement (consult the factory)

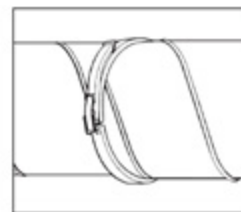
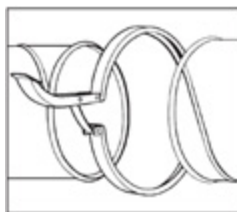
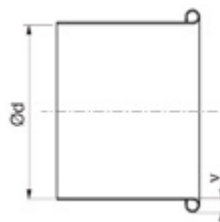
Connections/Joint Sealing

- A. All duct and fitting ends shall be joined externally by means of an integral latching/locking barrel clamp with factory-installed custom form fitting EPDM sealing gasket to ensure no duct penetrations or protrusions into the airstream
- B. Temperature rating for EPDM gasket shall be -22°F to +167°F intermittent
- C. The clip handle shall be secured against inadvertent opening by means of lock pin (supplied by others)
- D. No additional field sealant shall be necessary

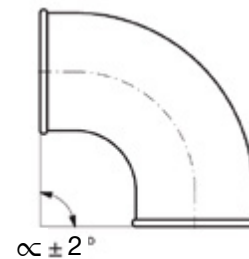


## Dimensions of duct and fittings

Ød nom	Ød	v
in	in	in
3	3.1	0.24
4	3.9	0.24
5	4.8	0.24
6	5.8	0.24
7	7.0	0.31
8	7.8	0.31
9	8.8	0.31
10	9.8	0.31
12	11.8	0.40
14	13.8	0.40
16	15.8	0.40
18	17.7	0.40
20	19.7	0.40



## Angle tolerance



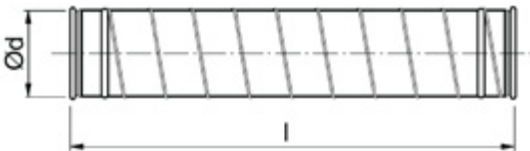


### Description

Round spiral with Transfer connection on each end.

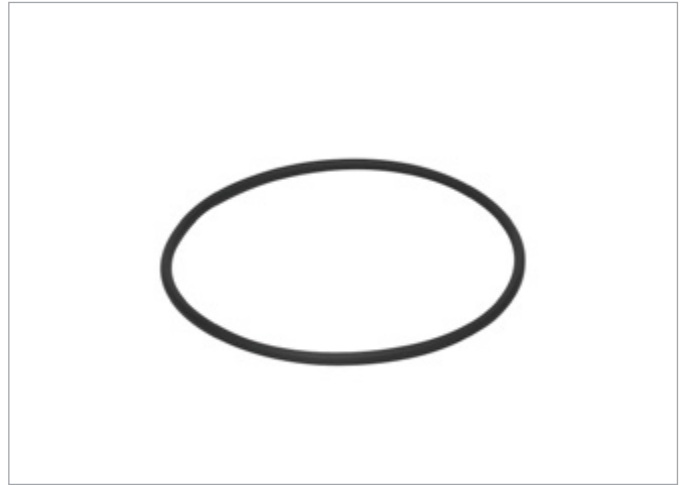
Available in diameters 3" - 20"

Available in lengths 12" - 120"



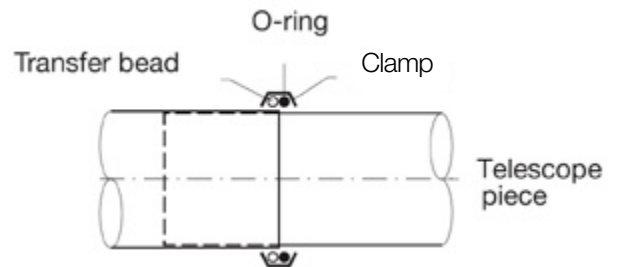
### Order Example

Product	SRTR	8
Dimension $\varnothing d$		



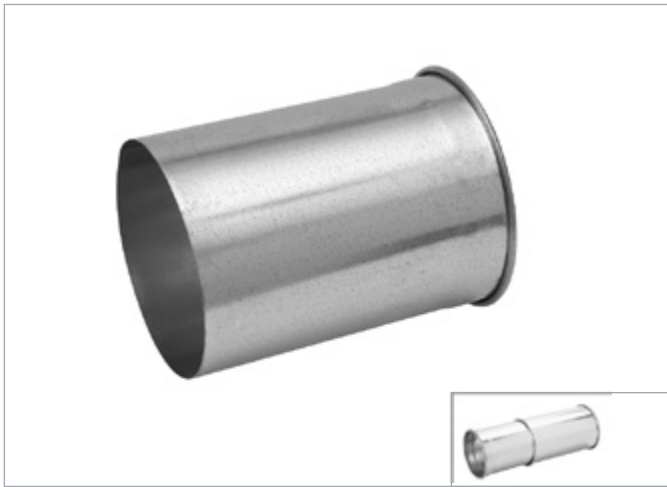
### Description

Oring used in sealing option for TLTR components



### Order Example

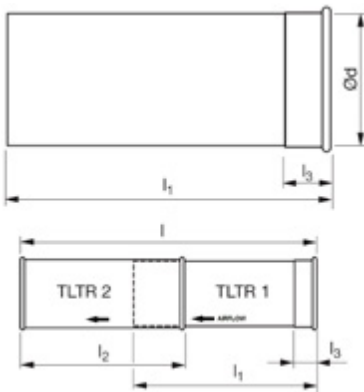
Product	ORINGTR	8
Dimension $\varnothing d$		



### Description

Used together with the telescopic duct TLTR2 to adjust duct length. Airflow direction travels from TLTR1 towards TLTR2. The maximum extension will be marked on exterior of each TLTR1. Seal joint after assembly by using

- 1) mastic tape, or
- 2) clamp (SB/SB-1) + ORINGTR (sold separately)



### Order Example

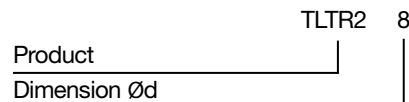


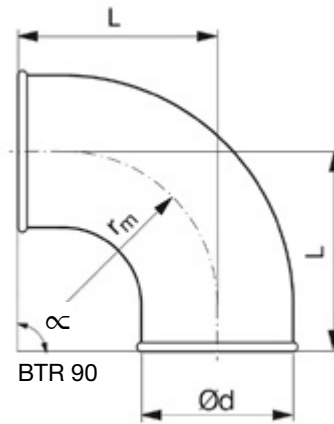
### Description

Used together with the telescopic duct TLTR1 to adjust duct length. Can also be used as ordinary duct.

Ød nom	t	$l_1, l_2$	$l_3$	$l_{min}$	$l_{max}$
in	in	in	in	in	in
3	0.28	9	2.25	11.25	22
4	0.28	9	2.0	11	21.5
5	0.28	9	2.0	11	21.5
6	0.28	9	2.0	11	21.5
7	0.28	9	2.0	11	21.5
8	0.28	14	2.0	16	31.5
9	0.28	14	2.0	16	31.5
10	0.28	14	2.0	16	31.5
12	0.28	14	2.0	16	31.5
14	0.28	14	2.0	16	31.5
16	0.35	14	2.0	16	31.5
18	0.35	14	2.0	16	31.5
20	0.35	14	2.0	16	31.5

### Order Example





## Description

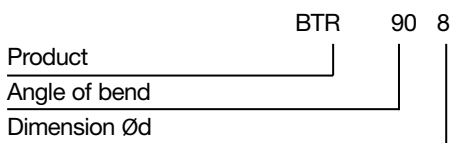
Pressed and seam welded elbow with a Transfer connection on each end.

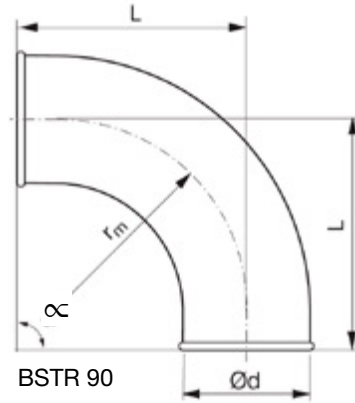
Available angles: 90°, 60°, 45°, 30°

Available diameters: 3" - 12"

$$r_m = 1.0 \times \text{Ød}$$

## Order Example





## Description

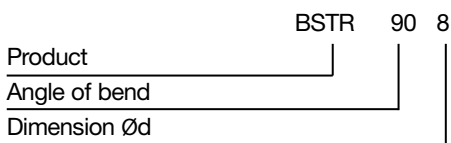
Pressed and seam welded elbow with a Transfer connection on each end.

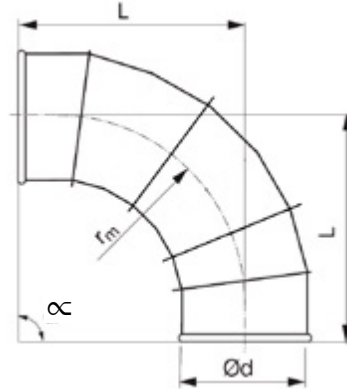
Available angles: 90°, 60°, 45°, 30°

Available diameters: 4" - 12"

$$r_m = 1.5 \times \text{Ød}$$

## Order Example





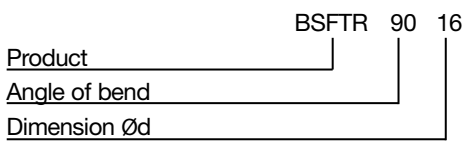
## Description

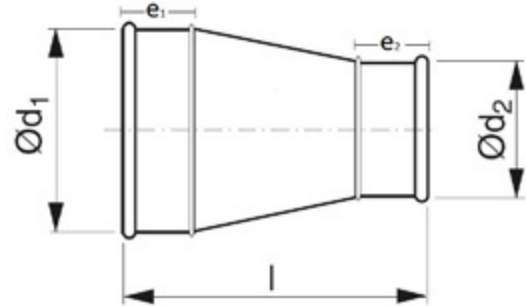
Segmented elbow with a Transfer connection on each end.

Available diameters: 14" - 20"

$$r_m \approx 1.5 \times \text{Ød}$$

## Order Example





### Description

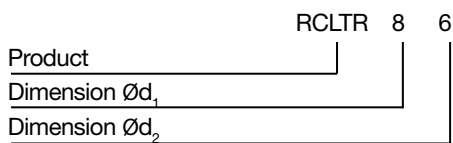
Long, fabricated concentric reducer with a Transfer connection on each end.

$$L = \text{Ø}d_1 - \text{Ø}d_2 + e_1 + e_2$$

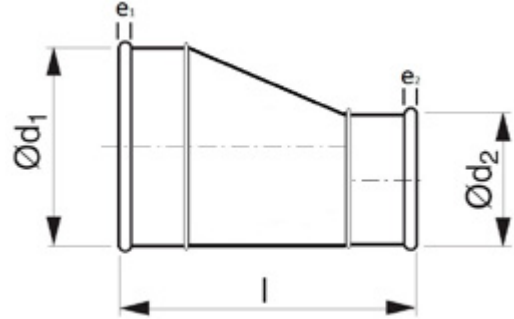
$$L \geq 4"$$

Ød nom	e <sub>1</sub>	e <sub>2</sub>
in	in	in
3	2.25	2.25
4	2.0	2.0
5	2.0	2.0
6	2.0	2.0
7	2.0	2.0
8	2.0	2.0
9	2.0	2.0
10	2.0	2.0
12	2.0	2.0
14	2.0	2.0
16	2.0	2.0
18	2.0	2.0
20	2.0	2.0

### Order Example







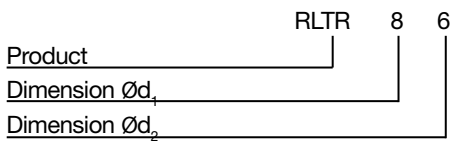
### Description

Long, fabricated eccentric reducer with a Transfer connection on each end.

$$L = \text{Ø}d_1 - \text{Ø}d_2 + e_1 + e_2$$

$$L \geq 4''$$

### Order Example





## Description

Transition from round Linx Transfer to rectangular connection.

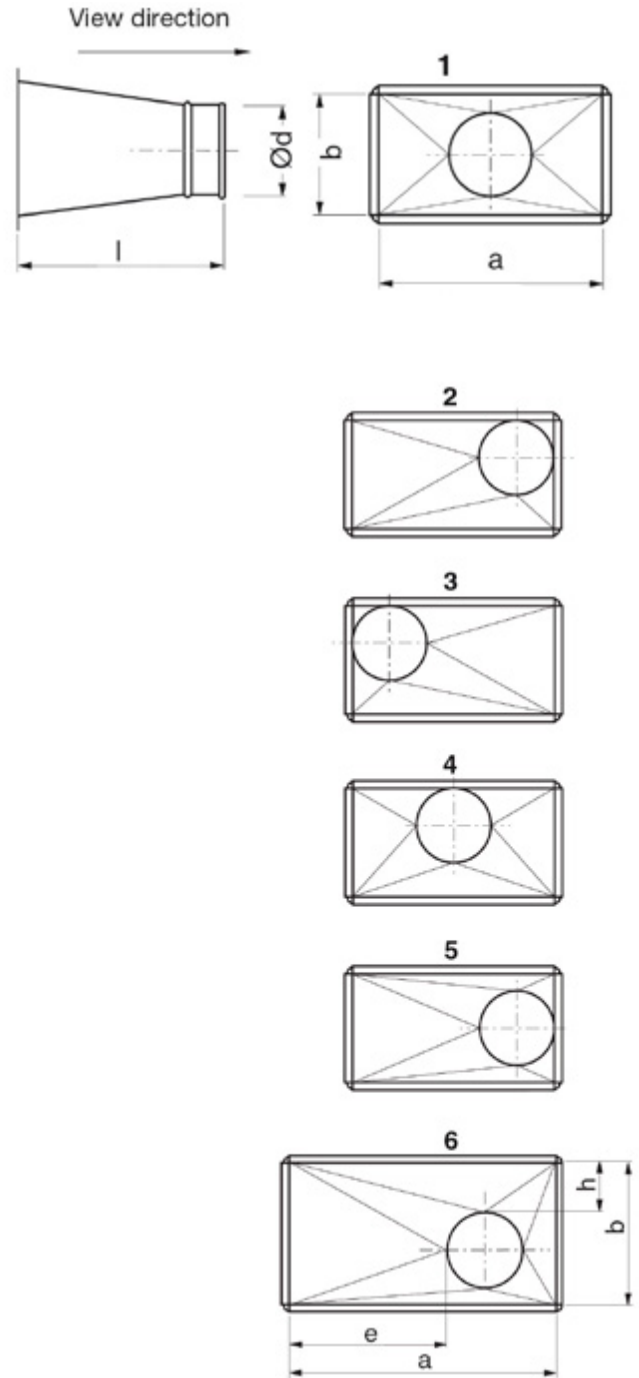
The measures e and h only need to be specified for alternative 6. A negative value for e, for example, means that e is outside dimension a.

Available in  $\varnothing d$  diameters 3" - 20"

$L \geq 14"$

## Order Example

	RRTTR	18 x 12	8	14
Product				
Dimension a x b				
Dimension $\varnothing d$				
Length				

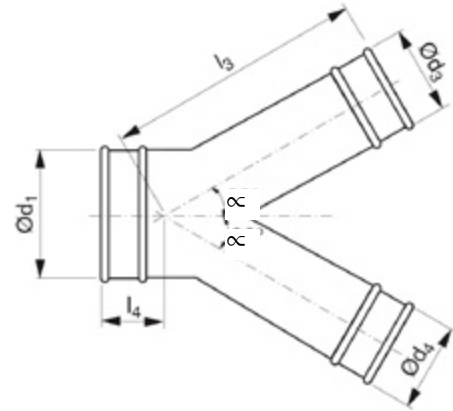




### Description

30° Y-piece

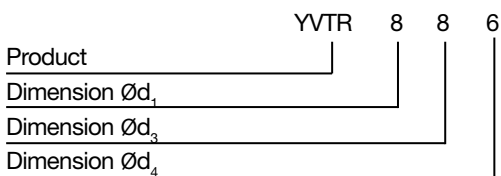
The adjacent table only contains a limited selection of 30° laterals where all dimensions  $d_1$ ,  $d_3$  and  $d_4$  are equal in size. Other dimensions are available upon request.



### Dimensions

$\text{Ø}d_1$ nom	$\text{Ø}d_3$ nom $\text{Ø}d_4$ nom	$l_3$	$l_4$
in	in	in	in
3	3	5.25	2.25
4	4	6.0	2.0
5	5	7.0	2.0
6	6	8.0	2.0
7	7	9.0	2.0
8	8	10.0	2.0
9	9	11.0	2.0
10	10	12.0	2.0
12	12	14.0	2.0
14	14	16.0	2.0
16	16	18.0	2.0
18	18	20.0	2.0
20	20	22.0	2.0

### Order Example





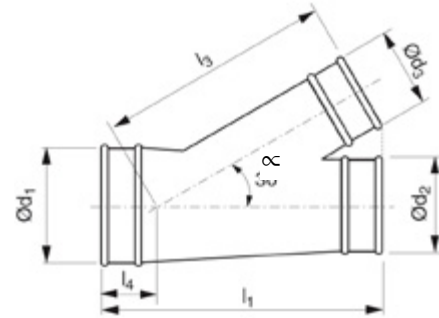
### Description

30° lateral tee.

The adjacent table only contains a limited selection of 30° laterals. Other dimensions are available upon request.

In all combinations, the installation length  $l_1$  is only governed by the branch diameter  $d_3$ . For example, all Tee-pieces with  $d_3 = 8"$  have installation length  $l_1 = 24"$ .

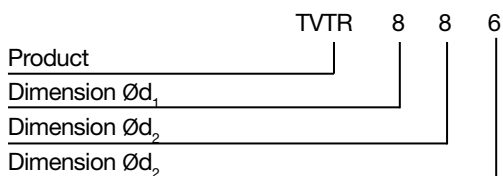
Note: Tap  $d_3$  must be  $\leq d_2$  in diameter.



### Dimensions

Ød <sub>1</sub> nom	Ød <sub>2</sub> nom	Ød <sub>3</sub> nom	l <sub>1</sub>	l <sub>3</sub>	l <sub>4</sub>
in	in	in	in	in	in
6	4	3	14	12.3	4.7
8	6	4	16	15.0	3.9
10	8	6	20	18.7	4.2
12	10	8	24	22.4	4.5
14	12	10	28	26.2	4.7
16	14	12	32	29.9	5.0
18	16	14	36	33.6	5.3
20	18	16	40	37.4	5.5

### Order Example





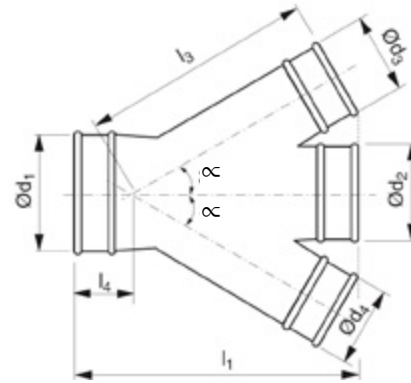
### Description

30° crossing lateral tee.

The adjacent table only contains a limited selection of 30° laterals. Other dimensions are available upon request.

In all combinations, the installation length  $l_1$  is only governed by the larger branch diameter  $d_3/d_4$ . For example, all cross-pieces with  $d_3 = 6"$  and  $d_4 = 8"$  have installation length  $l_1 = 24"$ .

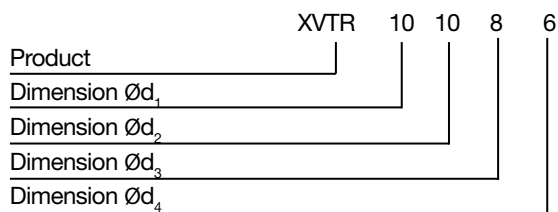
Note: Tap  $d_3$  must be  $\leq d_2$  in diameter.  
Tap  $d_4$  must be  $\leq d_3$ .



### Dimensions

Ød <sub>1</sub> nom	Ød <sub>2</sub> nom	Ød <sub>3</sub> nom Ød <sub>4</sub> nom	l <sub>1</sub>	l <sub>3</sub>	l <sub>4</sub>
in	in	in	in	in	in
6	4	3	14	12.3	4.7
8	6	4	16	15.0	3.9
10	8	6	20	18.7	4.2
12	10	8	24	22.4	4.8
14	12	10	28	26.2	4.7
16	14	12	32	29.9	5.0
18	16	14	36	33.6	5.3
20	18	16	40	37.4	5.5

### Order Example



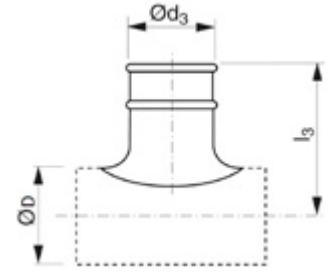
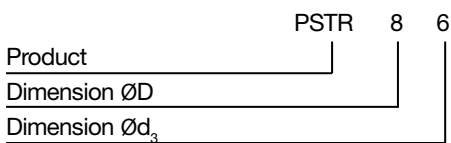


### Description

Saddle tap.  
 The saddle is fixed with two sealing clamps MFK (page 23).  
 Most sizes  $\text{Ød}_3$  3"-16" are pressed. Fabricated options indicated in chart below.

Fabricated Sizes								
$\text{Ød}_3$	$\text{ØD}$							
	8	9	10	12	14	16	18	20
3	•	•	•	•	•	•	•	•
7					•	•	•	•
14					•	•	•	•
18							•	•
20								•

### Order Example



### Dimensions

$H = X + 0.5(\text{ØD})$   
 X-dimensions in the chart below:

"X" Dimensions		
$\text{Ød}_3$ nom	Pressed "X"	Fabricated "X"
in	in	in
3	4.25	3.3
4	4.4	n/a
5	4.4	n/a
6	4.6	n/a
7	4.6	3.0
8	4.6	n/a
9	4.6	n/a
10	5.4	n/a
12	5.5	n/a
14	n/a	3.0
16	5.9	n/a
18	n/a	3.0
20	n/a	3.0

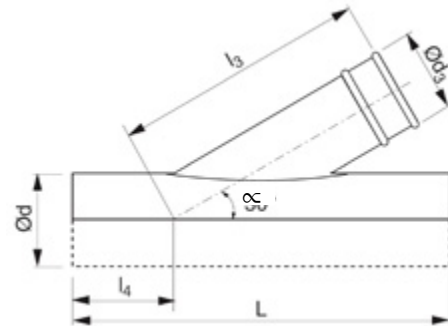


### Description

30° Lateral saddle tap.

The saddle is fixed with two sealing clamps MFK (page 28). This product should not be installed with screws or blind rivets when used in chip extraction installations.

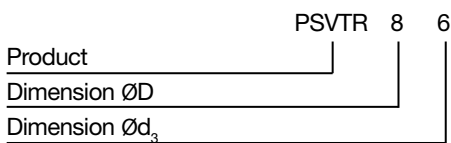
The adjacent table only contains a limited selection of 30° lateral saddle taps where all dimensions  $d$  and  $d_3$  are equal in size. Other dimensions are available upon request.



### Dimensions

ØD	Ød <sub>3</sub> nom	L	l <sub>3</sub>	l <sub>4</sub>
in	in	in	in	in
4	3	10	11.3	3.5
6	4	12	14	2.8
7	5	14	15.8	2.9
8	6	16	17.7	3.1
9	7	18	19.6	3.2
10	8	20	21.4	3.3
12	10	24	25.2	3.6
14	12	28	28.9	3.9
16	14	32	32.6	4.1
18	16	36	36.4	4.4
20	18	40	40.1	4.7

### Order Example

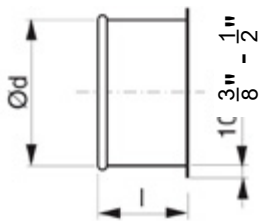




### Description

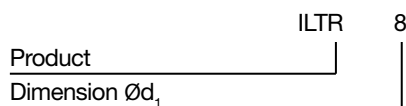
Take-off

Available in diameters 3" - 20"



Ød <sub>3</sub> nom	L
in	in
3	2.1
4	1.8
5	1.8
6	1.8
7	1.8
8	1.8
9	1.9
10	1.9
12	1.8
14	1.8
16	1.8
18	1.7
20	1.7

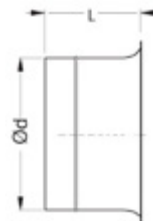
### Order Example



### Description

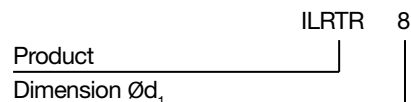
Bellmouth take-off

Available in diameters 4" - 16"



Ød <sub>3</sub> nom	L
in	in
4	4.0
5	4.0
6	4.7
7	4.7
8	4.7
9	4.8
10	5.6
12	5.4
14	5.4
16	5.9

### Order Example



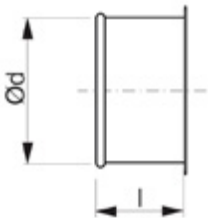




### Description

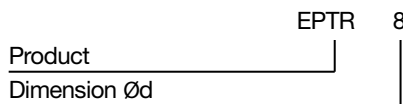
End cover

Available in diameters 3" - 20"



$\varnothing d_1$ nom	L
in	in
3	2.1
4	1.9
5	1.9
6	1.9
7	1.9
8	1.9
9	1.9
10	1.8
12	1.8
14	1.8
16	1.8
18	1.8
20	1.8

### Order Example



### Description

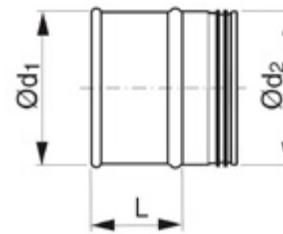
Coupling between Transfer and Safe systems.

Available in diameters 3" - 20"

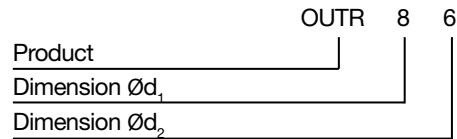
### Lengths

3" diameter = 2.25"

4" - 20" diameter = 2"



### Order Example

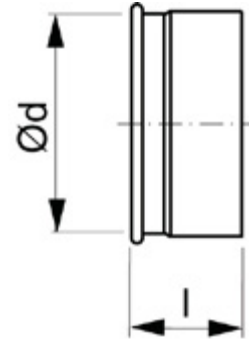




### Description

Coupling with female end between Transfer and Safe systems.

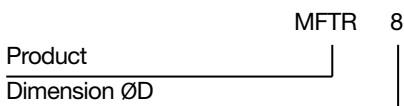
Available in diameters 3" - 20"

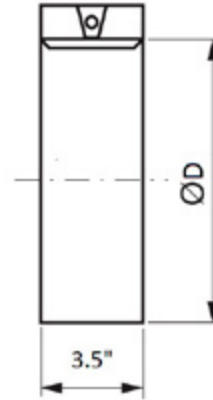


### Dimensions

Ød <sub>1</sub> nom	L
in	in
3	3.7
4	3.6
5	3.6
6	3.6
7	3.6
8	3.6
9	3.6
10	4.5
12	4.5
14	4.5
16	5.0
18	5.0
20	5.0

### Order Example





### Description

The inside of the sealing clamp is clad with EPDM rubber gasket.

Used for attaching slide-on stub saddle PSTR and PSVTR (page 24-25).

Available in diameters 3" - 20"

### Order Example

Product	MFK	8
Dimension ØD		

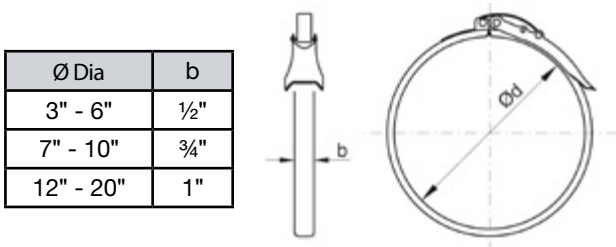


### Description

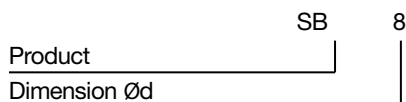
The heavy-duty barrel clamp used for connecting Linx Transfer is provided with a rubber gasket. The solid clamp handles can be secured against inadvertent opening by means of a lock pin (supplied by others).

Temperature range      -22 to +167 °F continuous  
                                      -40 to +185 °F intermittent

Available in diameters 3" - 20"



### Order Example

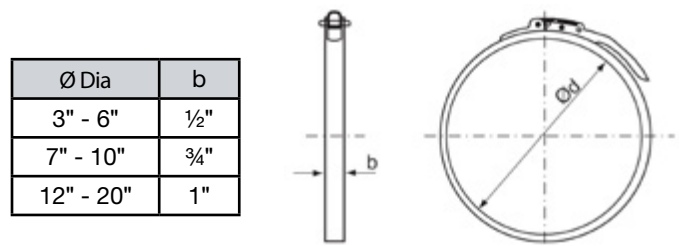


### Description

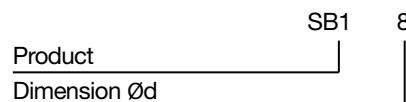
The standard barrel clamp used for connecting Linx Transfer is provided EPDM rubber gasket and a thread spring. The clip split handle can be secured against inadvertent opening by means of a lock pin (supplied by others).

Temperature range      -22 to +167 °F continuous  
                                      -40 to +185 °F intermittent

Available in diameters 3" - 20"



### Order Example





### Description

Full blast gate used to shut off air flow in a Linx Transfer system. Constructed with a Transfer connection on each end.

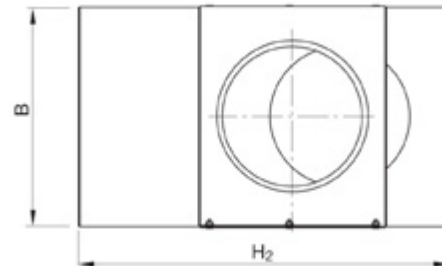
#### Gauge:

- 22 (standard for 3"-9")
- 20 (standard for 10"-16")
- 18

#### Connections:

- BGATETR Transfer (standard)
- BGATEU Lindab Safe
- BGATE Nongasketed

Diameters: 3" - 16"



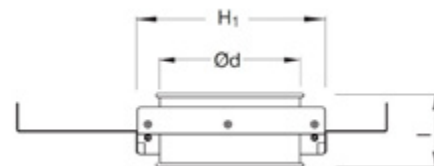
### Dimensions

Ød	B	l	H <sub>1</sub>	H <sub>2</sub>
3	6	4.4	5	8.25
4	7	3.8	6	10.25
5	8	3.8	7	12.25
6	9	3.8	8	14.25
7	10	3.8	9	16.25
8	11	3.8	10	18.25
9	13.75	3.8	11	20.25
10	14.75	3.6	12	22.25
12	16.75	3.6	14	26.25
14	18.75	3.6	16	30.25
16	20.75	3.6	18	34.25

All dimensions in inches.

### Order Example

Product	BGATETR	8
Dimension Ød		





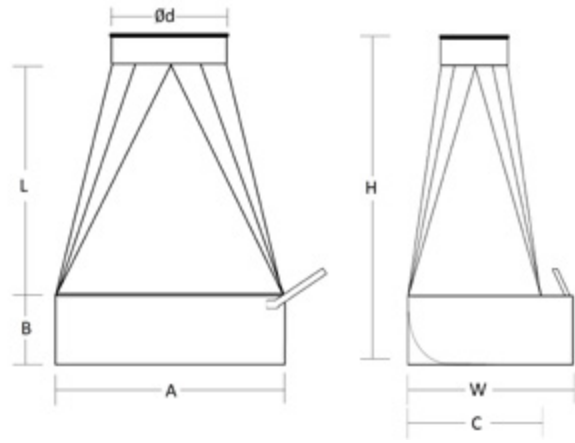
## Description

The floorsweep is used in a Linx Transfer particulate collection system. Constructed with a sweeping vane over interior corner for improved velocity.

Gauge:  
- 24

- Connections:
- FSTR Transfer (standard)
  - FSU Lindab Safe
  - FS Nongasketed

Diameters: 4" - 8"



## Dimensions

Ød	A	B	C	L	H	W
4	12	4	4	12	18	6
5	12	4	4	12	18	6
6	12	4	4	12	18	6
8	12	4	4	12	18	6

All dimensions in inches.

## Order Example

