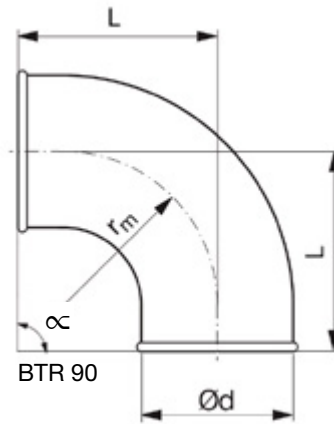


16



## Description

Pressed and seam welded elbow with a Transfer connection on each end.

Available angles: 90°, 60°, 45°, 30°

Available diameters: 3" - 12"

$$r_m = 1.0 \times \text{Ød}$$

## Order Example

