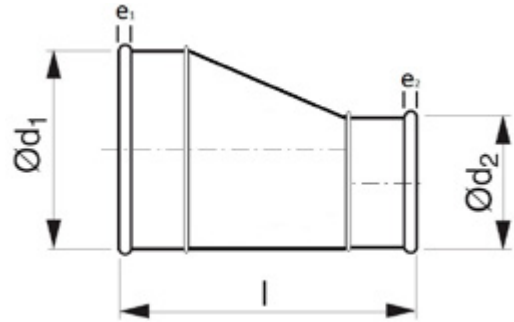


20



Description

Long, fabricated eccentric reducer with a Transfer connection on each end.

$$L = \text{Ø}d_1 - \text{Ø}d_2 + e_1 + e_2$$

$$L \geq 4''$$

Order Example

